



Streck

“Part of the way I work is very involved in how we look at things – as if we are always on a visit to a museum. Streck is the result of this – the essence of a particular type of fitting I have always loved.



White RAL 9016



Warm Gray RAL
7032



Pine Green RAL
6028



Black RAL 9005

Specifications

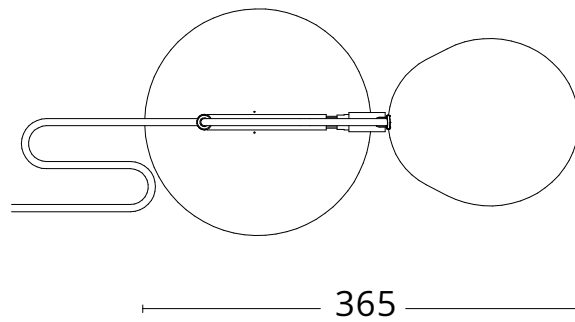
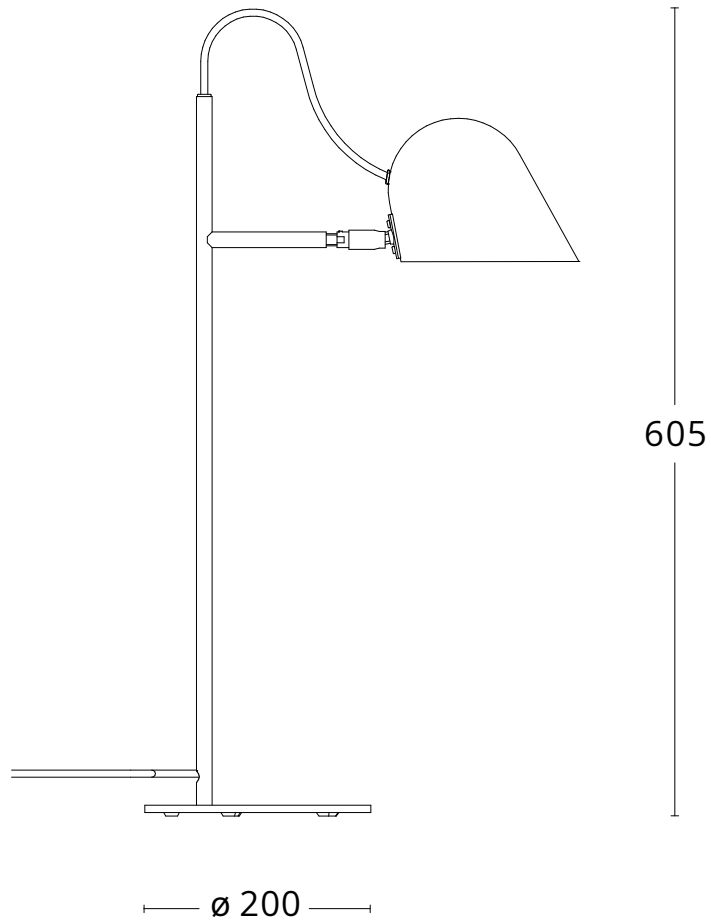
TECHNICAL SPECIFICATION

Designer	Joel Karlsson
Electrical data	Class I IP20 230V
Description	Switch inside shade. Adjustable shade
Connection	2 m textile cable, plug included
Lightsource	1 x Integrated LED 2700K 6W 500lm CRI>90 (Included)
Weight	5 kg
Volume	0.1 m ³

ARTICLE NO

38921-01-000	White RAL 9016
38921-02-000	Warm gray RAL 7032
38921-13-000	Pine green RAL 6028
38921-15-000	Black RAL 9005

Dimensions



For more info, visit our website