

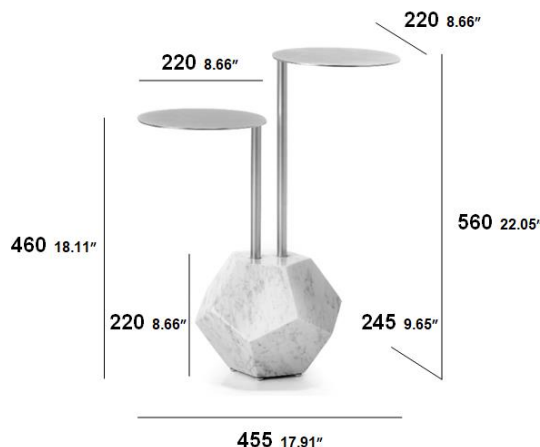
## IMAGE



## SPECIFICATION

Gross Weight: ,00 Kg / 83.78 lb  
 Net weight: 28,00 Kg / 61.73 lb  
 Volume: 0,16 Cbm / 5.65 ft<sup>3</sup>  
 1 per box  
 HARMONIZED SYSTEM CODE 94031058

## ROUGH-IN DRAWING



## STANDARD FEATURES

Mr. Brown consists of two long metal stems mounted on a marble base and supporting two distinct tops. Its design is a kind of visual representation of Sitia brand identity since the shape of the tops reminds the dots of the logo. The dodecahedron base shines bright like a diamond giving that final touch of glamour and even luxury.

The two different heights of the tops are designed to fit neatly nearby a couch, an armchair or a bed. In this way, Mr. Brown can be used as a coffee table in the living room, as a nightstand in the bedroom or as a side table in a modern lounge. The whole design is completed by a wood catch-all tray that is the perfect place for keys, loose change or cigarettes. The tray can be lifted and used as an individual piece for easy transport of items.

### BASE

Dodecahedron solid base in white Carrara marble.

### SUPPORTS

Steel tube and sheet steel.

### TRAY

Tray made of solid walnut Canaletto. All components used are made in full compliance with EC regulations, E1 class materials. Dimensions 25 x 24,5 mm.

### GLIDES

Anti-slip polyurethane rubber glides assembled, suitable for any type of flooring.

### COUNTRY OF PRODUCTION:

Italy

### ENVIRONMENT:

Indoor

### WARRANTY:

5 years

### OTHERS

- All screws and assembly systems used in the production of Sitia's product are UNI EN ISO 9001-2000 and UNI ISO/TS 16949 process certified.

Sitia srl Copyright 2020 - all rights reserved. The described data could be modified without prior communication