

PARASOL PROGRAM

2025



A Cane-line parasol is the perfect way to enjoy your outdoor environment, when the sun is at its highest or the dew comes at night. All parasols from Cane-line are made in contemporary and durable materials, to match any outdoor area, and to maintain its look and function for a long time. The parasols are all manufactured in weather- and UV resistant materials, so the colour will not fade over time, and you can leave it out throughout the summer.

Cane-line®

58240T Classic - short version for Peacock daybed

Design by Cane-line Design

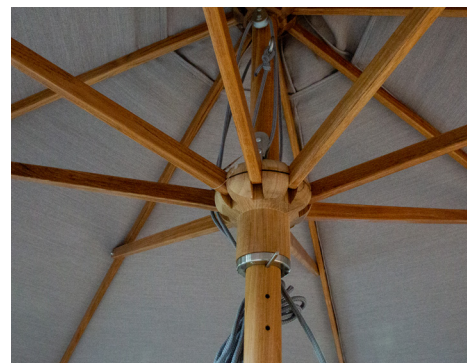
Rope and pulley system



- Nicely detailed and handcrafted teak structure
- Certified teak in grade A from controlled production
- Unique solution dyed fabric
- Washable fabric
- Water repellent
- UVP 50+
- Timeless though classic design
- Functional design with detachable fabric
- In case of damage on the parasol fabric, you have the opportunity to buy a new fabric cover

MATERIAL		SIZE/ WEIGHT			
Parasol pole	Teak frame	Parasol	Dia. 240 cm	Dia. 94.5"	
Parasol fabric	Fabric of 100% solution dyed polyester 280gr/m ²		H 229 cm	H 90.2"	
			Wgt 15,8 kg	Wgt 34.9 lbs	
		Parasol pole	Dia. 4,8 cm	Dia. 1.9"	

For covering you parasol use Cover 7 (5650S)



59240T Classic

Design by Cane-line Design

Rope and pulley system

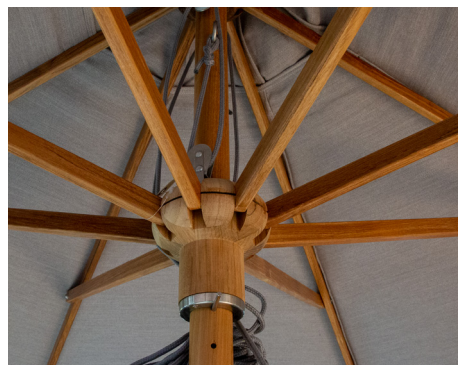


- Nicely detailed and handcrafted teak structure
- Certified teak in grade A from controlled production
- Unique solution dyed fabric
- Washable fabric
- Water repellent
- UVP 50+
- Timeless though classic design
- Functional design with detachable fabric
- In case of damage on the parasol fabric, you have the opportunity to buy a new fabric cover

MATERIAL	
Parasol pole	Teak frame
Parasol fabric	Fabric of 100% solution dyed polyester 280gr/m2

SIZE/ WEIGHT				
Parasol	Dia.	240 cm	Dia.	94.5"
	H	249 cm	H	98"
	Wgt	16,4 kg	Wgt	36.2 lbs
Parasol pole	Dia.	4,8 cm	Dia.	1.9"

For covering you parasol use Cover 7 (5650S)



59300T Classic

Design by Cane-line Design

Rope and pulley system

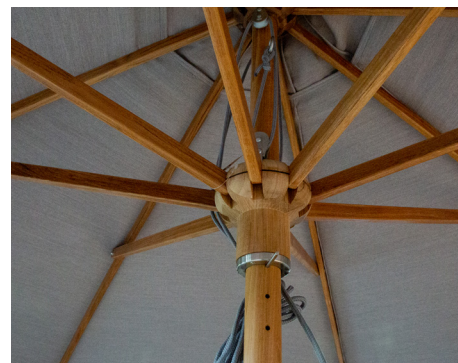


- Nicely detailed and handcrafted teak structure
- Certified teak in grade A from controlled production
- Unique solution dyed fabric
- Washable fabric
- Water repellent
- UVP 50+
- Timeless though classic design
- Functional design with detachable fabric
- In case of damage on the parasol fabric, you have the opportunity to buy a new fabric cover

MATERIAL	
Parasol pole	Teak frame
Parasol fabric	Fabric of 100% solution dyed polyester 280gr/m2
UV	UVP 50+

SIZE/ WEIGHT				
Parasol	Dia.	300 cm	Dia.	118.1"
	H	249 cm	H	98"
	Wgt	16,4 kg	Wgt	36,2 lbs
Parasol pole	Dia.	4,8 cm	Dia.	1.9"

For covering you parasol use Cover 7 (5650S)



51300X300 Harbour

Design by Cane-line Design

Rope and pulley system



Y505 Anthracite colour

- Strong and durable aluminium pole and center construction
- Unique UV resistant fabric
- UVP 50+
- Detachable washable fabric
- Fit for server contract use
- In case of damage on the parasol fabric, you have the opportunity to buy a new fabric cover

MATERIAL	
Parasol pole	Aluminium frame, light grey pole
Parasol fabric	Fabric of 100% solution dyed polyester 305gr/m2
UV	UVP 50+

SIZE/ WEIGHT				
Parasol	W	300 cm	Dia.	118.1"
	D	300 cm	W	118.1"
	H	262 cm	H	103.2"
	Wgt	15,2 kg	Wgt	33,6 lbs
Parasol pole	Dia.	4,8 cm	Dia.	1.9"

For covering you parasol use Cover 7 (5650S)



583X3 Hyde luxe tilt

Design by Cane-line Design

Hanging parasol with tilt function



360° rotating / Handle for operating

- Strong aluminium pole construction
- UV resistant fabric
- UVP 50+
- Washable detachable fabric
- Cantilever function – allows for space optimization
- Tilt function vertically and horizontally – with dynamic shadow effect
- 360 degree turnable
- In case of damage on the parasol fabric, you have the opportunity to buy a new fabric cover



Y505 Anthracite colour

Y506 Light grey colour Y507 Taupe colour

MATERIAL	
Parasol pole	Aluminium frame, anthracite pole
Parasol base	Parasol base purchased separately. Choose between ceramic tiles (4xtiles) or base w/ wheels.
Parasol fabric	Fabric of 100% solution dyed polyester 280gr/m2
UV	UVP 50+

SIZE/ WEIGHT					
Parasol	W	300 cm	Dia.	118.1"	
	D	300 cm	W	118.1"	
	H	270 cm	H	103.2"	
	Wgt	25,3 kg	Wgt	55,8 lbs	
Parasol pole	W	5,8 cm	D	2.3"	
	D	8,8 cm	W	3.5"	

For covering you parasol use Cover 9 (5651S)



See the function on our YouTube channel: www.youtube.com/watch?v=OgWnKH4eSI

58WL3X3 Hyde luxe tilt wood look

Design by Cane-line Design

Hanging parasol with tilt function



360° rotating / Handle for operating

- Strong aluminium pole construction w/a wood look folio
- UV resistant fabric
- UVP 50+
- Washable detachable fabric
- Cantilever function – allows for space optimization
- Tilt function vertically and horizontally – with dynamic shadow effect
- 360 degree turnable
- In case of damage on the parasol fabric, you have the opportunity to buy a new fabric cover

Y504 dusty white colour



Y507 Taupe colour

MATERIAL	
Parasol pole	Aluminium frame w/a wood look folio
Parasol base	Parasol base purchased separately. Choose between ceramic tiles (4xtiles) or base w/ wheels.
Parasol fabric	Fabric of 100% solution dyed polyester 280gr/m2
UV	UVP 50+

SIZE/WEIGHT				
Parasol	W	300 cm	Dia.	118.1"
	D	300 cm	W	118.1"
	H	270 cm	H	103.2"
	Wgt	25,3 kg	Wgt	55,8 lbs
Parasol pole	W	5,8 cm	D	2.3"
	D	8,8 cm	W	3.5"

For covering you parasol use Cover 9 (5651S)



See the function on our YouTube channel: www.youtube.com/watch?v=OgWnKH4eSI

58MA3X3 Hyde luxe tilt

Design by Cane-line Design

Hanging parasol with tilt function



360° rotating / Handle for operating

- Strong aluminium pole construction
- UV resistant fabric
- UVP 50+
- Washable detachable fabric
- Cantilever function – allows for space optimization
- Tilt function vertically and horizontally – with dynamic shadow effect
- 360 degree turnable
- In case of damage on the parasol fabric, you have the opportunity to buy a new fabric cover

Y504 Dusty white colour

MATERIAL		SIZE/ WEIGHT				
Parasol pole	Aluminium frame, Mat Anodized pole	Parasol	W	300 cm	Dia.	118.1"
Parasol base	Parasol base purchased separately. Choose between ceramic tiles (4xtiles) or base w/wheels.		D	300 cm	W	118.1"
Parasol fabric	Fabric of 100% solution dyed polyester 280gr/m2		H	270 cm	H	106.2"
UV	UVP 50+		Wgt	25,5 kg	Wgt	55,8 lbs
		Parasol pole	W	5,8 cm	W	2.3"
			D	8,8 cm	D	3.5"

For covering you parasol use Cover 9 (5651S)

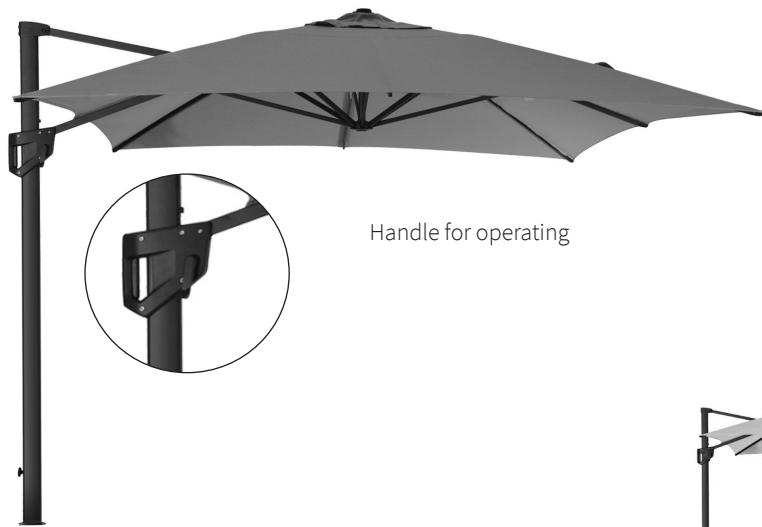


See the function on our YouTube channel: www.youtube.com/watch?v=OgWnKHi4eSI

583X4 Hyde luxe

Design by Cane-line Design

Hanging parasol



- Strong aluminium pole construction
- UV resistant fabric
- UVP 50+
- Washable detachable fabric
- Cantilever function – allows for space optimization
- 360 degree turnable
- In case of damage on the parasol fabric, you have the opportunity to buy a new fabric cover

Y505 Anthracite colour



Y506 Light grey colour



Y507 Taupe colour

MATERIAL	
Parasol pole	Aluminium frame, anthracite pole
Parasol base	Parasol base purchased separately. Choose between ceramic tiles (4xtiles) or base w/wheels.
Parasol fabric	Fabric of 100% solution dyed polyester 280gr/m2
UV	UVP 50+

SIZE/WEIGHT					
Parasol	W	300 cm	Dia.	118.1"	
	D	400 cm	W	157.5"	
	H	278 cm	H	109.5"	
	Wgt	25,2 kg	Wgt	55,6 lbs	
Parasol pole	W	5,8 cm	W	2.3"	
	D	8,8 cm	D	3.5"	

For covering you parasol use Cover 18 (5652S)



583X4 Hyde luxe wood look

Design by Cane-line Design

Hanging parasol



Handle for operating

Y505 Anthracite colour



Y507 Taupe colour

- Strong aluminium pole construction w/a wood look folio
- UV resistant fabric
- UVP 50+
- Washable detachable fabric
- Cantilever function – allows for space optimaization
- 360 degree turnable
- In case of damage on the parasol fabric, you have the opportunity to buy a new fabric cover

MATERIAL	
Parasol pole	Aluminium frame w/a wood look folio
Parasol base	Parasol base purchased separately. Choose between ceramic tiles (4xtiles) or base w/wheels.
Parasol fabric	Fabric of 100% solution dyed polyester 280gr/m2
UV	UVP 50+

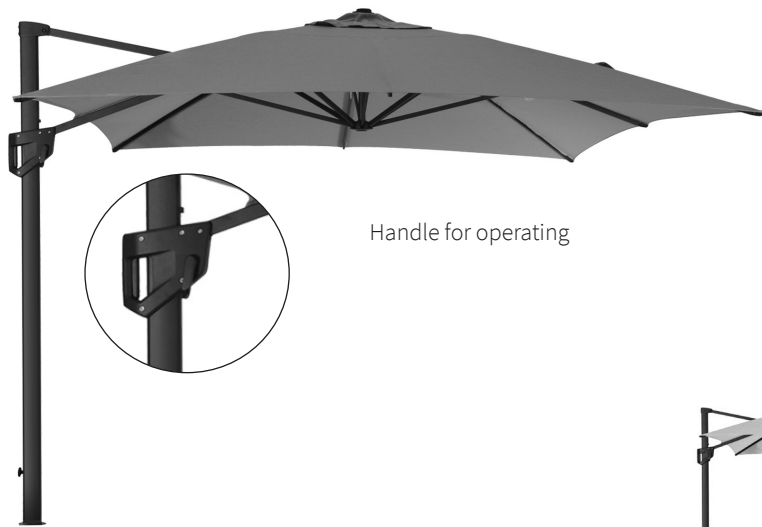
SIZE/WEIGHT					
Parasol	W	300 cm	Dia.	118.1"	
	D	400 cm	W	157.5"	
	H	278 cm	H	109.5"	
	Wgt	25,2 kg	Wgt	55,6 lbs	
Parasol pole	W	5,8 cm	W	2.3"	
	D	8,8 cm	D	3.5"	

For covering you parasol use Cover 18 (5652S)

583X3 Hyde luxe

Design by Cane-line Design

Hanging parasol



- Strong aluminium pole construction
- UV resistant fabric
- UVP 50+
- Washable detachable fabric
- Cantilever function – allows for space optimization
- 360 degree turnable
- In case of damage on the parasol fabric, you have the opportunity to buy a new fabric cover

Y505 Anthracite colour



Y506 Light grey colour



Y507 Taupe colour

MATERIAL	
Parasol pole	Aluminium frame, anthracite pole
Parasol base	Parasol base purchased separately. Choose between ceramic tiles (4xtiles) or base w/wheels.
Parasol fabric	Fabric of 100% solution dyed polyester 280gr/m2
UV	UVP 50+

SIZE/WEIGHT					
Parasol	W	300 cm	Dia.	118.1"	
	D	300 cm	W	118.1"	
	H	270 cm	H	106.2"	
	Wgt	25,2 kg	Wgt	55,6 lbs	
Parasol pole	W	5,8 cm	W	2.3"	
	D	8,8 cm	D	3.5"	

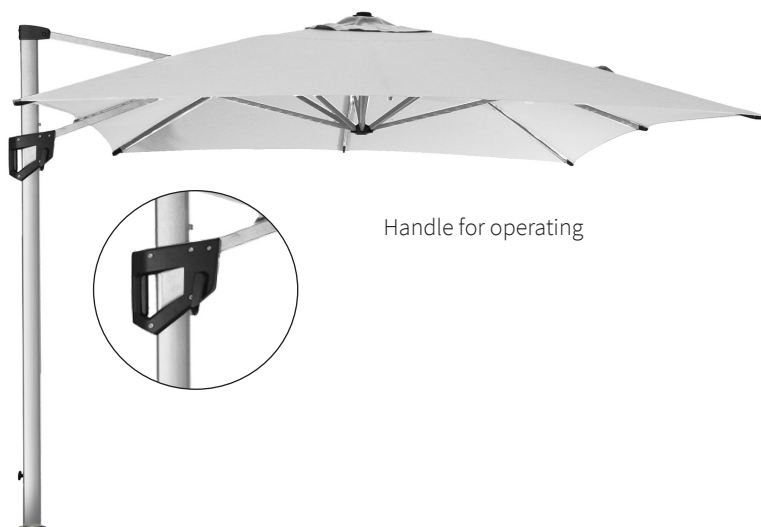
For covering you parasol use Cover 18 (5652S)



58MA3X4 Hyde luxe

Design by Cane-line Design

Hanging parasol



- Strong aluminium pole construction
- UV resistant fabric
- UVP 50+
- Washable detachable fabric
- Cantilever function – allows for space optimization
- 360 degree turnable
- In case of damage on the parasol fabric, you have the opportunity to buy a new fabric cover

Y504 Dusty white colour

MATERIAL	
Parasol pole	Aluminium frame, Mat Anodized pole
Parasol base	Parasol base purchased separately. Choose between ceramic tiles (4xtiles) or base w/wheels.
Parasol fabric	Fabric of 100% solution dyed polyester 280gr/m2
UV	UVP 50+

SIZE/ WEIGHT				
Parasol	W	300 cm	Dia.	118.1"
	D	400 cm	W	157.5"
	H	278 cm	H	109.5"
	Wgt	25,2 kg	Wgt	55,6 lbs
Parasol pole	W	5,8 cm	W	2.3"
	D	8,8 cm	D	3.5"

For covering you parasol use Cover 18 (5652S)



52300X300 Major

Design by Cane-line Design

Ergonomic sliding system



Ergonomic sliding system

- Anodized aluminium pole
- Ease of use easy to operate – one touch mechanism
- Aluminium pole
- Detachable and washable fabric
- UV resistant fabric UVP 50+
- Water repellent solution dyed fabric
- In case of damage on the parasol fabric, you have the opportunity to buy a new fabric cover

Y505 Anthracite colour

MATERIAL		SIZE/WEIGHT				
Parasol pole	Aluminium frame, light grey pole	Parasol	W	300 cm	Dia.	118.1"
Parasol fabric	Fabric of 100% solution dyed polyester 280gr/m2		D	300 cm	W	118.1"
UV	UPF 50+		H	284 cm	H	111.9"
			Wgt	6 kg	Wgt	13.23 lbs
		Parasol pole	Dia.	4,8 cm	Dia.	1.9"

For covering you parasol use Cover 9 (5651S)



See the function on our YouTube channel: www.youtube.com/watch?v=P2L-QwWSf3A

58MA300 Sunshade

Design by Cane-line Design

Crank system



Crank system

Y505 Anthracite colour

- Practical function – easy to operate
- Unique crank function
- UV resistant fabric UVP 50+
- Anodized aluminium pole
- In case of damage on the parasol fabric, you have the opportunity to buy a new fabric cover

MATERIAL		SIZE/WEIGHT			
Parasol pole	Aluminium frame, Mat Anodized pole	Parasol	Dia. 300 cm	Dia. 118.1"	
Parasol fabric	Fabric of 100% solution dyed polyester 280gr/m2		H 247 cm	H 97.3"	
UV	UPF 50+		Wgt 6,2 kg	Wgt 13,7 lbs	
		Parasol pole	Dia. 4,8 cm	Dia. 1.9"	

For covering you parasol use Cover 7 (5650S)



58MATILT300 Sunshade

Design by Cane-line Design

Tilt function



Y505 Anthracite colour

- Practical function – easy to operate
- Unique crank function
- UV resistant fabric UVP 50+
- Anodized aluminium pole
- Tilt function
- In case of damage on the parasol fabric, you have the opportunity to buy a new fabric cover



Y505 Anthracite colour



Y506 Light grey colour

MATERIAL	
Parasol pole	Aluminium frame, Mat Anodized
Parasol fabric	Fabric of 100% solution dyed polyester 280gr/m2
UV	UPF 50+

SIZE/WEIGHT					
Parasol	Dia.	300 cm	Dia.	118.1"	
	H	247 cm	H	97.3"	
	Wgt	6,2 kg	Wgt	13,7 lbs	
Parasol pole	Dia.	4,8 cm	Dia.	1.9"	

For covering you parasol use Cover 7 (5650S)



58WLTILT300 Sunshade

Design by Cane-line Design

Tilt function



Y504 Dusty white colour

- Practical function – easy to operate
- Unique crank function
- UV resistant fabric UVP 50+
- Anodized aluminium pole w/wood look folio
- Tilt function
- In case of damage on the parasol fabric, you have the opportunity to buy a new fabric cover



Y507 Taupe colour

MATERIAL	
Parasol pole	Aluminium frame w/wood look folio
Parasol fabric	Fabric of 100% solution dyed polyester 280gr/m2
UV	UPF 50+

SIZE/WEIGHT					
Parasol	Dia.	300 cm	Dia.	118.1"	
	H	247 cm	H	97.3"	
	Wgt	6,2 kg	Wgt	13,7 lbs	
Parasol pole	Dia.	4,8 cm	Dia.	1.9"	

For covering you parasol use Cover 7 (5650S)

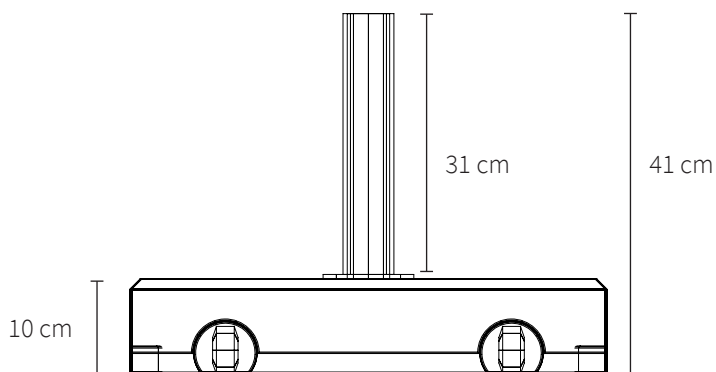


5718GR Parasol base

Design by Cane-line Design

With wheels

- Granite construction
- Easy to clean and maintain
- Adjustable pole diameter mechanism
- Integrated castors – easy to move



GR Matt grey

MATERIAL	
Parasol base	Granite

SIZE/WEIGHT					
Parasol	W	45 cm	W	17.1"	
	D	45 cm	D	17.1"	
	H	46 cm	H	18.1"	
	Wgt	47 kg	Wgt	103 lbs	
Parasol pole	Dia.	5,2 cm	Dia.	2"	
	Dia.	5 cm	Dia.	1.9"	
	Dia.	4,8 cm	Dia.	1.8"	
	Dia.	3,8 cm	Dia.	1.5"	
	Dia.	3,2 cm	Dia.	1.3"	

The parasol base comes with adjustable feet.



5779 Grow parasol base

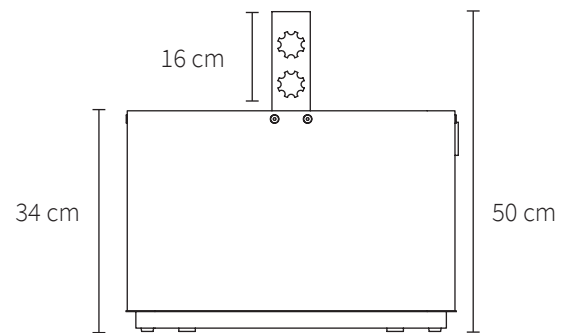
Design by Cane-line Design

With wheels

- Weather resistant powder coated aluminium
- Functional hybrid product – which works as a planter as well
- Integrated castors
- Adjustable pole diameter mechanism



ALI Lava grey/Light grey



MATERIAL	
Parasol base	Aluminium

SIZE/WEIGHT					
Parasol	W	50 cm	W	19.7"	
	D	50 cm	D	19.7"	
	H	50 cm	H	19.7"	
	Wgt	9,7 kg	Wgt	21.5 lbs	
Parasol pole	Dia.	5,4 cm	Dia.	2.1"	
	For bigger parasol	Dia.	4,8 cm	Dia.	1.9"
For smaller parasol					

Remember to add a drain and potting compost to the base to ensure that the parasol is stable.

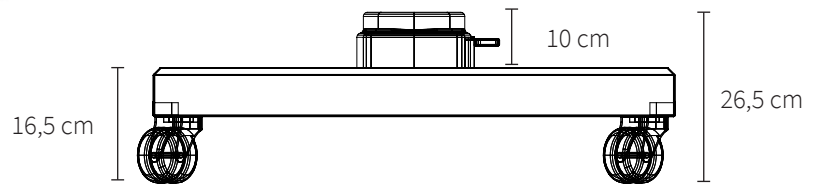


5719GR Hyde luxe parasol base

Design by Cane-line Design

With wheels

- Granite construction
- Easy to clean and maintain
- Integrated castors – easy to move
- Parasol base with lockable wheels
- Easy to move and lock system ensuring that the parasol is not being pushed out of the desired location by the wind
- Recommended for Hyde 3x3M



GR Matt grey

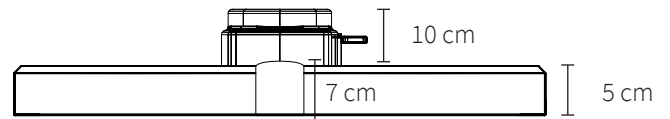
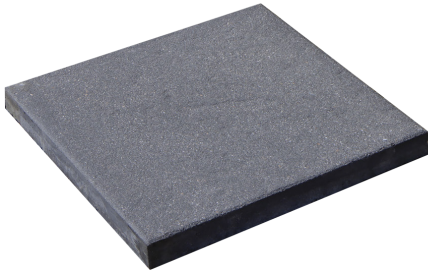
MATERIAL		SIZE/WEIGHT			
Parasol base	Granite	Parasol	W 75 cm	W 29.5"	
			D 75 cm	D 29.5"	
			H 7,5 cm	H 3.1"	
			Wgt 100 kg	Wgt 220 lbs	



5717TG (1 tiles) Hyde luxe parasol base, 4 tiles

Design by Cane-line Design

- Concrete plate
- Easy to clean and maintain
- 25 kg pr. plate
- Recommended for Hyde 3x3M and 3x4M



TG Grey

MATERIAL		SIZE/ WEIGHT			
Parasol base	Concrete	Parasol	W 50 cm	W 19.7"	
			D 50 cm	D 19.7"	
			H 5 cm	H 2"	
			Wgt 25 kg	Wgt 55 lbs	

