


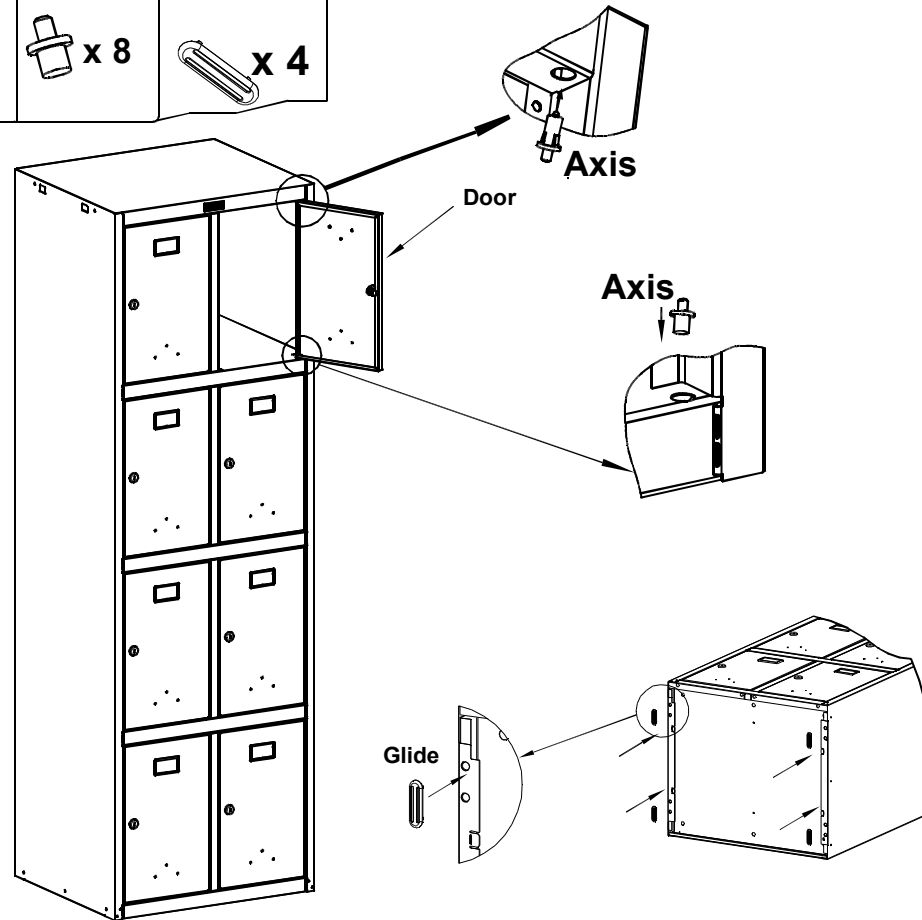


Assembly instruction of locker LS-24

 x 8
  x 8
  x 4



6

Notes to instruction

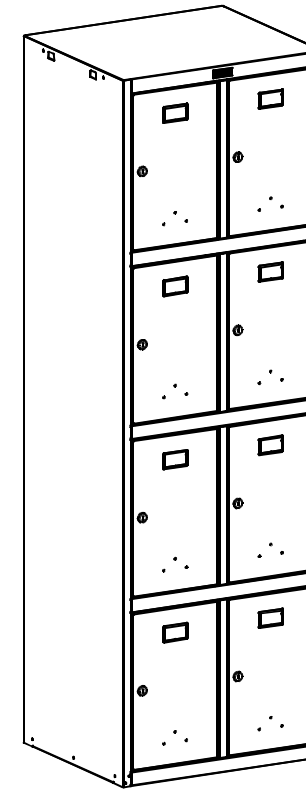
1. The assembly operations order is indicated the order number in the lower left corner of each image.
2. Type and quantity of fixing materials and parts for main assembling operations is indicated in the upper left corner of the image.

Recommendations for use of the locker

1. The locker should be assembled on an even surface.

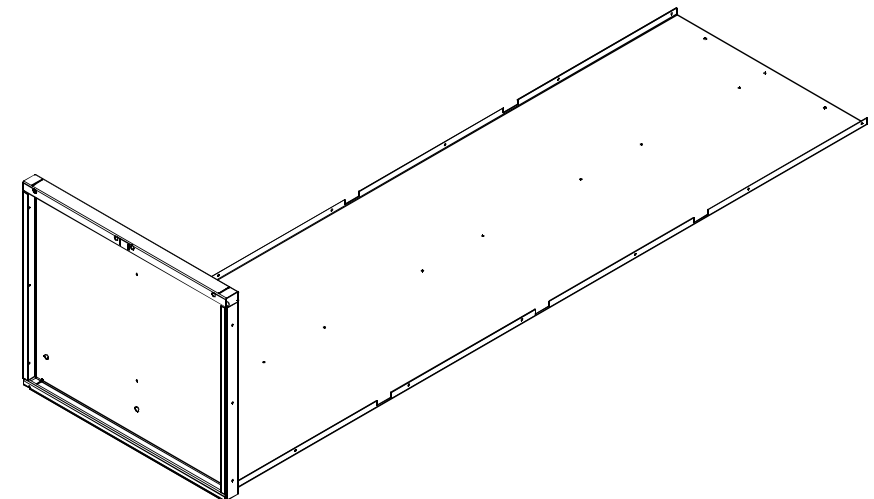
Notes

1. There may be construction changes not considered in this instruction manual.



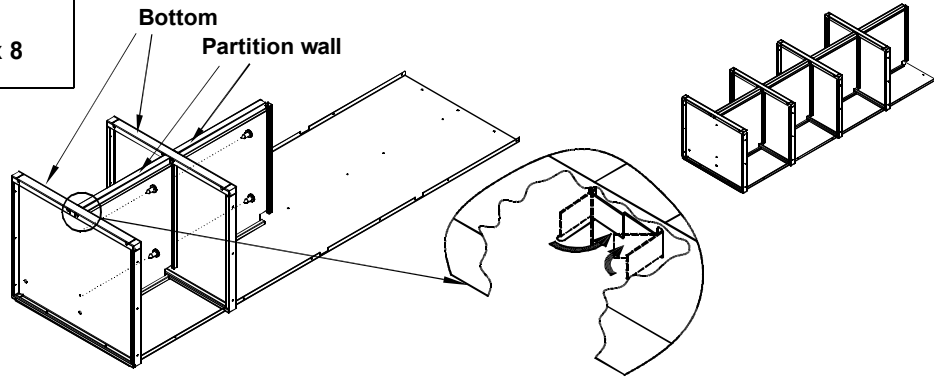
The cabinet may be assembled either with screws or with rivets. If it is rivets, they should be installed instead of screws and also into additional places marked on the images.

Note:
Arrows with numbers indicate the assembly operation consequence



1

⚙ x 8
or
🔩 x 8

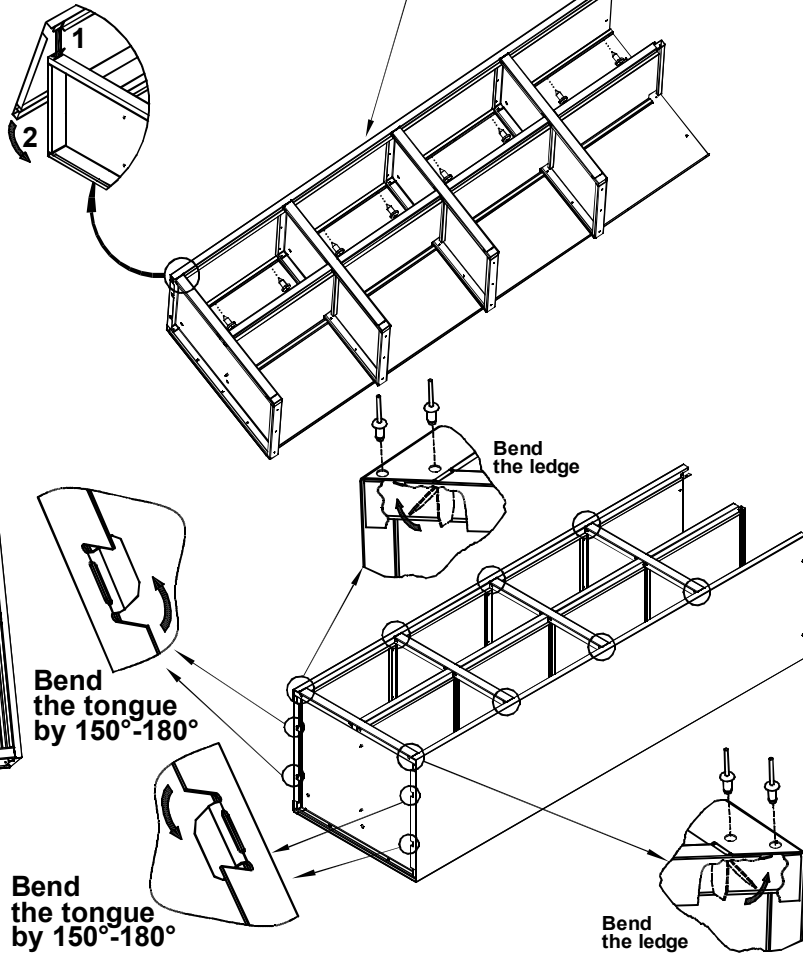


2 Because of technological production process, one of the ledges of the partition wall is originally bended by 90°

⚙ x 16
or
🔩 x 16+4

The arrows with numbers indicate the assembling actions order of side walls.

Left side wall



Right side wall

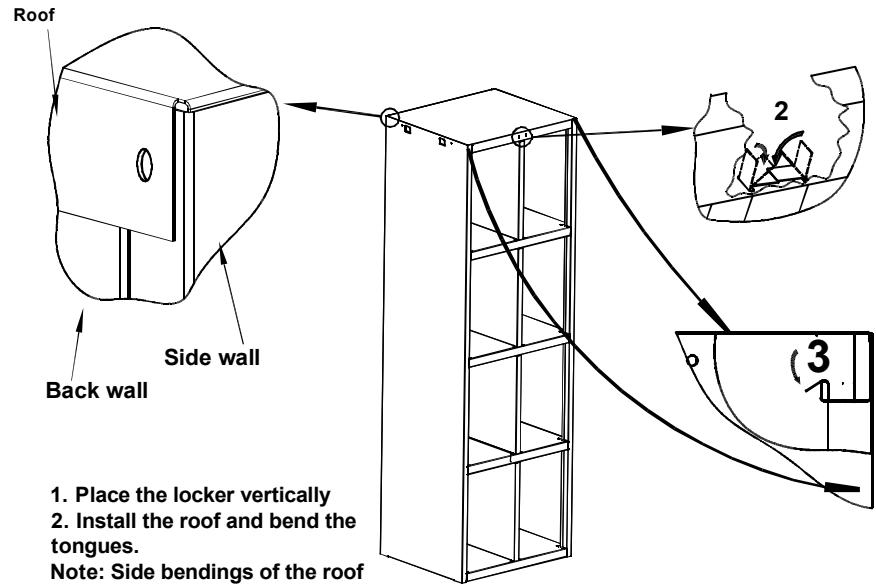
Bend the tongue by 150°-180°

Bend the ledge

Bend the ledge

3

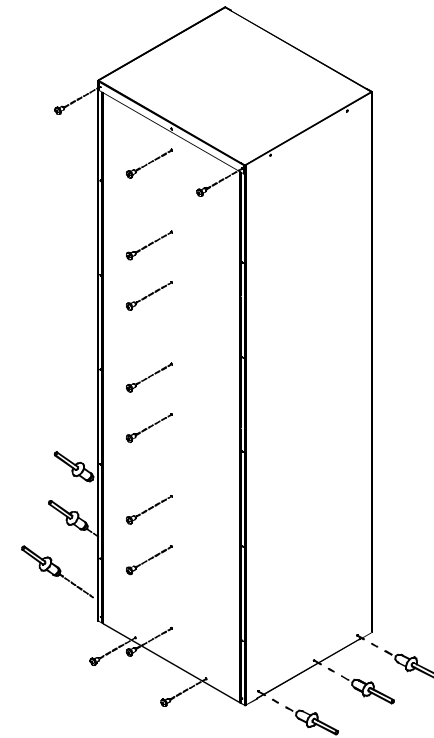
Back view of the locker



1. Place the locker vertically
2. Install the roof and bend the tongues.
Note: Side bendings of the roof are put inside the cabinet between the side wall and tongues. The back bending is according to the image.

4

⚙ x 12
or
🔩 x 12+6



5