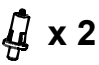

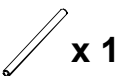

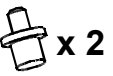
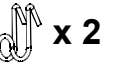
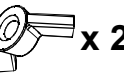

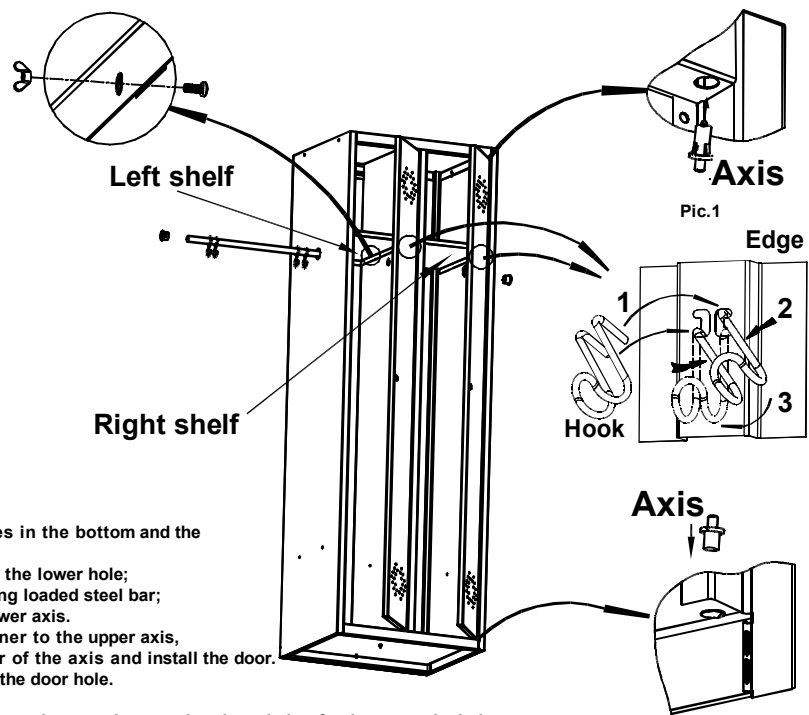


-  x 2
-  x 2
-  x 1
-  x 4
-  x 2
-  x 2
-  x 2
-  x 2



Assembling of doors:

1. Input the axes into holes in the bottom and the roof up to the stop:
 - common plastic axis into the lower hole;
 - plastic axis with the spring loaded steel bar;
2. Install the door on the lower axis.
3. Move the upper door corner to the upper axis, put the spring loaded bar of the axis and install the door. The axis must "click" in the door hole.

Note. Before installing the door, please make sure that the axis bar freely enters the holes, if necessary (if the bar doesn't enter) clean the holes from paint.
Cautious! If there's a vertical play of the door, it's necessary to put a washer (supplied together) under the axis

Installation of additional hooks:

1. Install the hook by even bars into the hole of the edge diagonally, according to pic.1
2. Press the hook (see pic.1)
3. Move the hook down, so that the right and the left steel bendings are parallel

6 While installing the tube, S-formed hooks must be installed from the inside of the locker. 2 pieces in each cell.

Additional Manual

1. The installation sequence is given under the sequense numbers in the left lowercorner of each image of the installation operation.
2. The type and quantity of fixing tools and accessories for the main installation operations are given in the left upper corner of the picture.

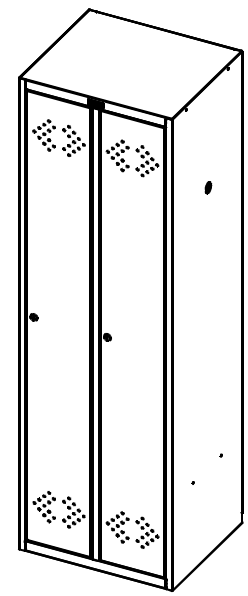
Recommendations for use.

1. The locker should be assembled on even surface.

Notes

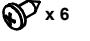
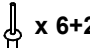
1. There may be constructive changes not considered in this Manual.

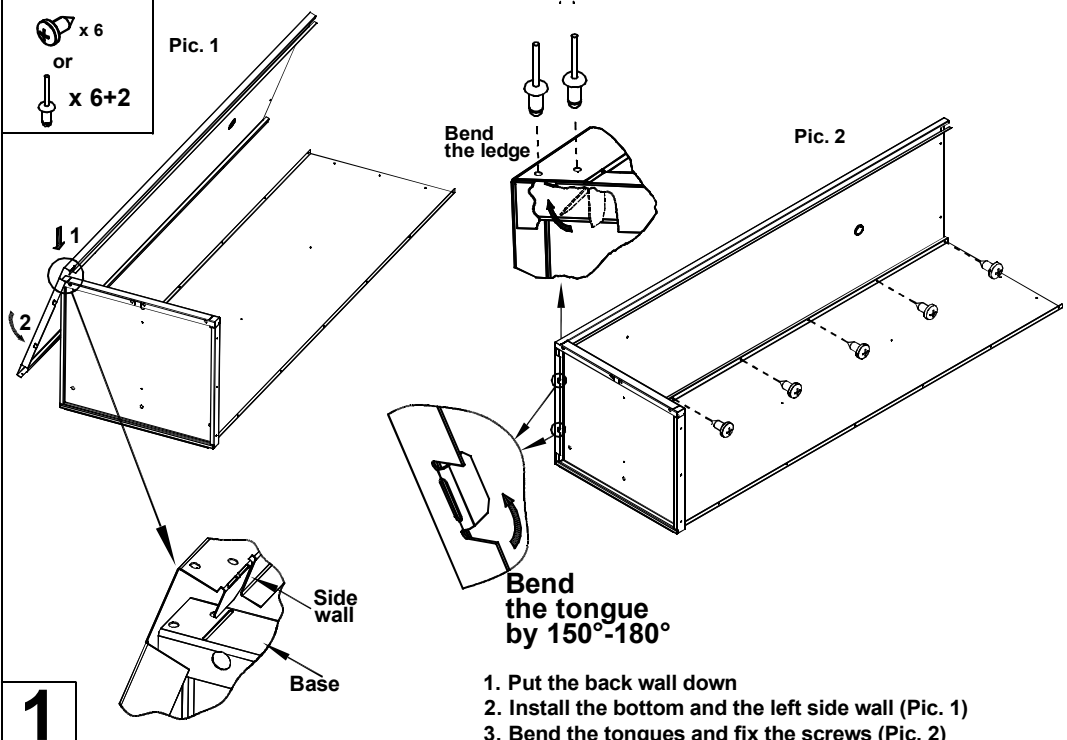
Assembling Manual for Locker LS 21



The cabinet may be assembled either with screws or with rivets. If it is rivots, they should be installed instead of screws and also into additional places marked on the images.


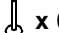
Note: Arrows with numbers indicate the assembly operation consequence

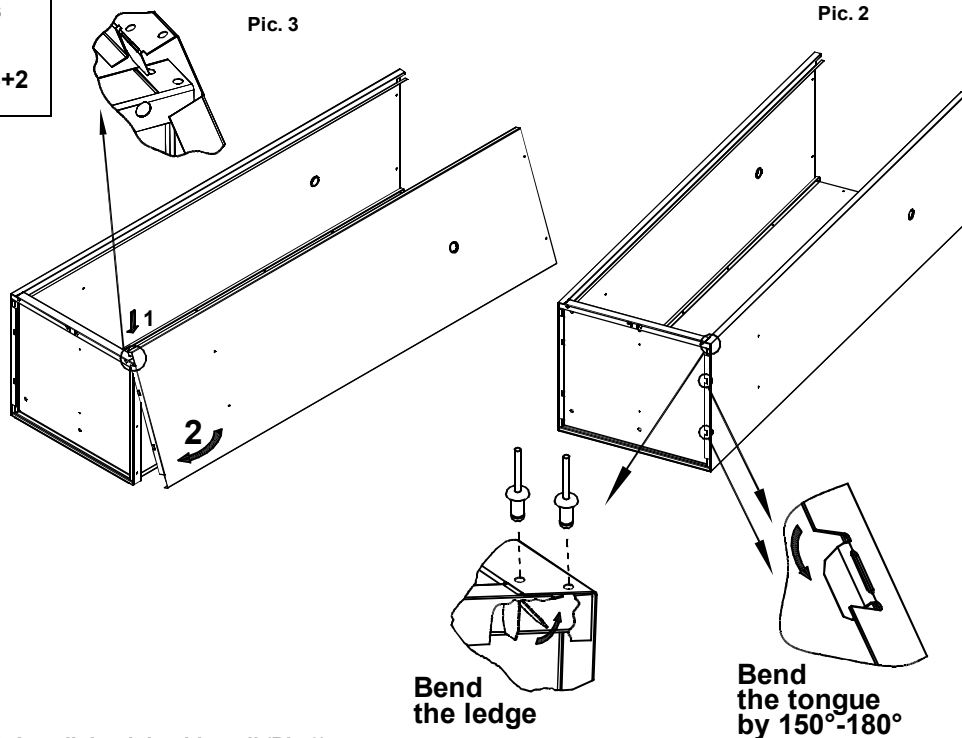
-  x 6
- or
-  x 6+2



1. Put the back wall down
2. Install the bottom and the left side wall (Pic. 1)
3. Bend the tongues and fix the screws (Pic. 2)



LS-21.

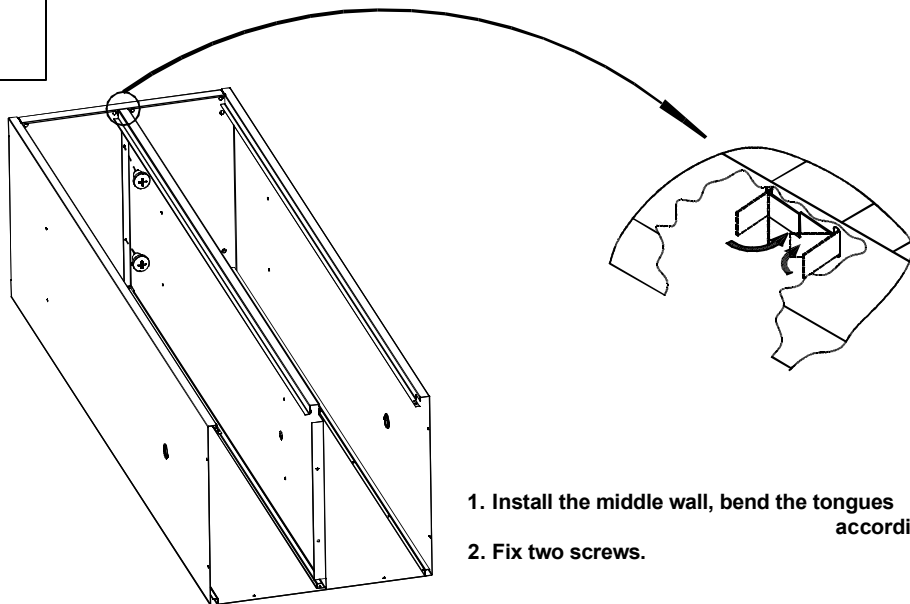
 x 6
 or
 x 6+2



1. Install the right side wall (Pic 3).
2. Bend the tongues and fix the screws.



2


 x 2
 or
 x 2



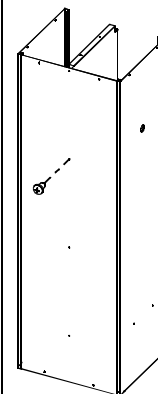
1. Install the middle wall, bend the tongues accordingly.
2. Fix two screws.

3

 x 1
 or
 x 1

 x 2

Pic. 4

**4**

1. Place the locker vertically
2. Install the roof and bend the tongues.

Note: Side bendings of the roof are put inside the cabinet between the side wall and tongues. The back bending is according to the image.

Back view of the locker

Roof

Side wall

Back wall

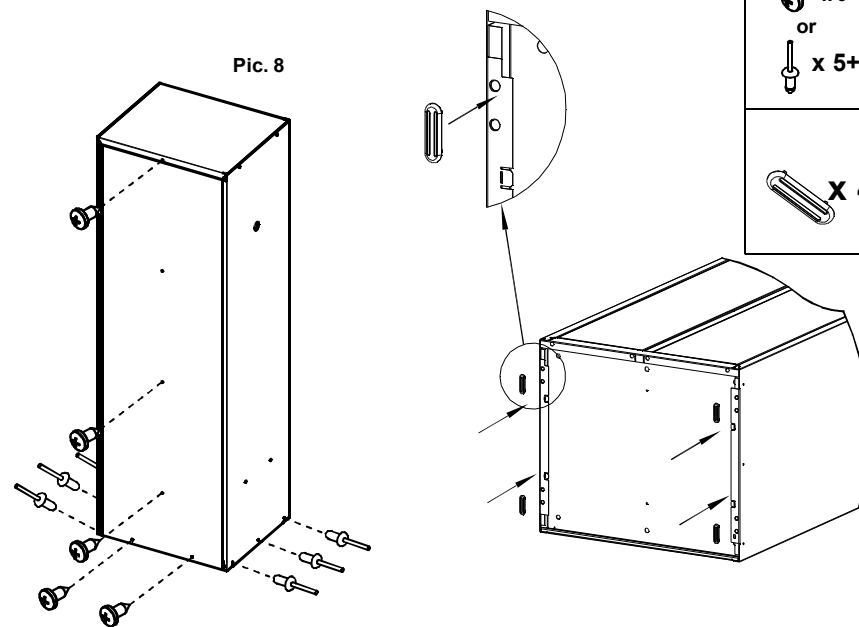
 x 2



1

2

3

Pic. 8



 x 5
 or
 x 5+6

 x 4

5